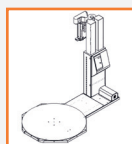
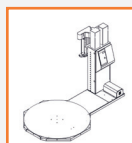
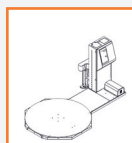
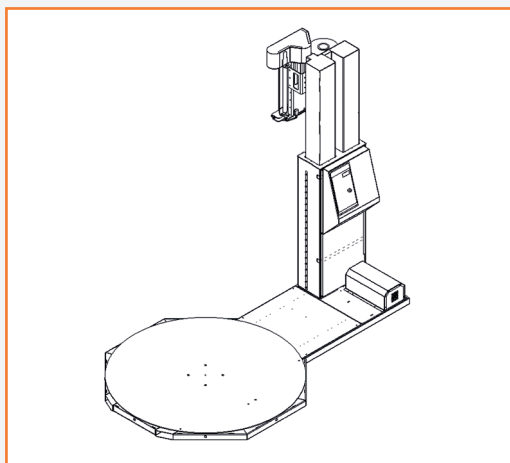


Darwin: the mast.



The first step toward packaging evolution.

Try to imagine a screw, ready to transform itself in a car to lead you anywhere you want: this is EvoPac Darwin.

EvoPac Darwin it's our premium entry level machine. It features a **unique** telescopic-mast solution, an high-tech juice that raises up together with the carriage in order to save a lot of space (just 1381 mm height when turned off), to wrap smoother as ever and to give more value to your time! Once ordered, the machine reach your wrapping area already **fully assembled** and ready to work: just plug in and wrap! Fitted with high quality components, EvoPac Darwin can be tailored as you want to meet your requirement. Design visionary, wrap concrete.

Technical data

Height	1381 mm
Width	1500 mm
Length	2805 mm
Turntable height	72 mm
Weight	450 kg
Power supply	230 VAC
Power absorption	0,75/1Kw

Main specifications

Maximum height of the pallet: 2250 mm	6 working cycles
Loading plate: 1500 mm	Storage of 32 end user programs
Maximum loading weight: 1200 kg	Wrapped pallet counter
Frequency controller for carriage speed management	Receiver for infrared/radio control
Frequency controller for turntable speed management	Autodiagnostic
Electromagnetic brake for film stretching	3 working modes: semi-manual semi-automatic fixed height
Photocell for pallet height detection	2 years warranty
Safety stop at the base of the carriage	
Stop at 0 position	

Main options

Power pre-stretch	Remote control
Power pre-stretch auto cut off system	Ramp
1650 mm turntable	Pit frame
1800 mm turntable	Photocell for dark loads
3000 mm max wrapping height	Safety fences
2000 kg max pallet weight	

EvoPac
Design visionary, wrap concrete



EvoPac S.r.l.

Via Calcinaro, 2071
47521 Cesena (FC) - Italy
T +39 (0)547 63 01 52
E info@evopac.com
www.evopac.com
P.IVA/Cod. Fisc. 04198700405