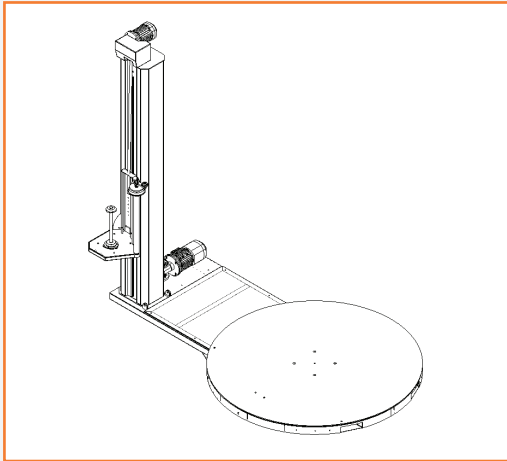


Nobel: the price.



Quality belongs to everyone.

Until now, the equation was: if you want to save money you have to compromise on quality and forget about a classy service.

Today, EvoPac Nobel shifts this paradigm, outstanding the market with an high quality Italian machine with the price of a cheap solution: the lowest ever!

Wrap as you like it, save a lot of money and enjoy our complementary service. With EvoPac Nobel, the good packaging belongs to everyone.

Technical data

Height	2075 mm
Width	1500 mm
Length	2374 mm
Turntable height	75 mm
Weight	280 kg
Power supply	230 VAC
Power absorption	0,75/1Kw

Main specifications

Mechanical brake	Stop at 0 position
Frequency controller for turntable speed adjustment	3 working cycles
Frequency controller for carriage speed adjustment	5 digit display
Control panel specs: cycle selection bottom turns top turns rotation speed carriage speed	Autodiagnostic
	Powder coating
	Braked turntable at the end of the cycle
	2 years warranty
Going up/down	
Photocell for pallet height detection	
Maximum pallet height 2100 mm	

Main options

1650 mm turntable	Pit frame
Ramp	Photocell for dark loads

EvoPac
Design visionary, wrap concrete



EvoPac S.r.l.

Via Calcinaro, 2071
47521 Cesena (FC) - Italy
T +39 (0)547 63 01 52
E info@evopac.com
www.evopac.com
P.IVA/Cod. Fisc. 04198700405